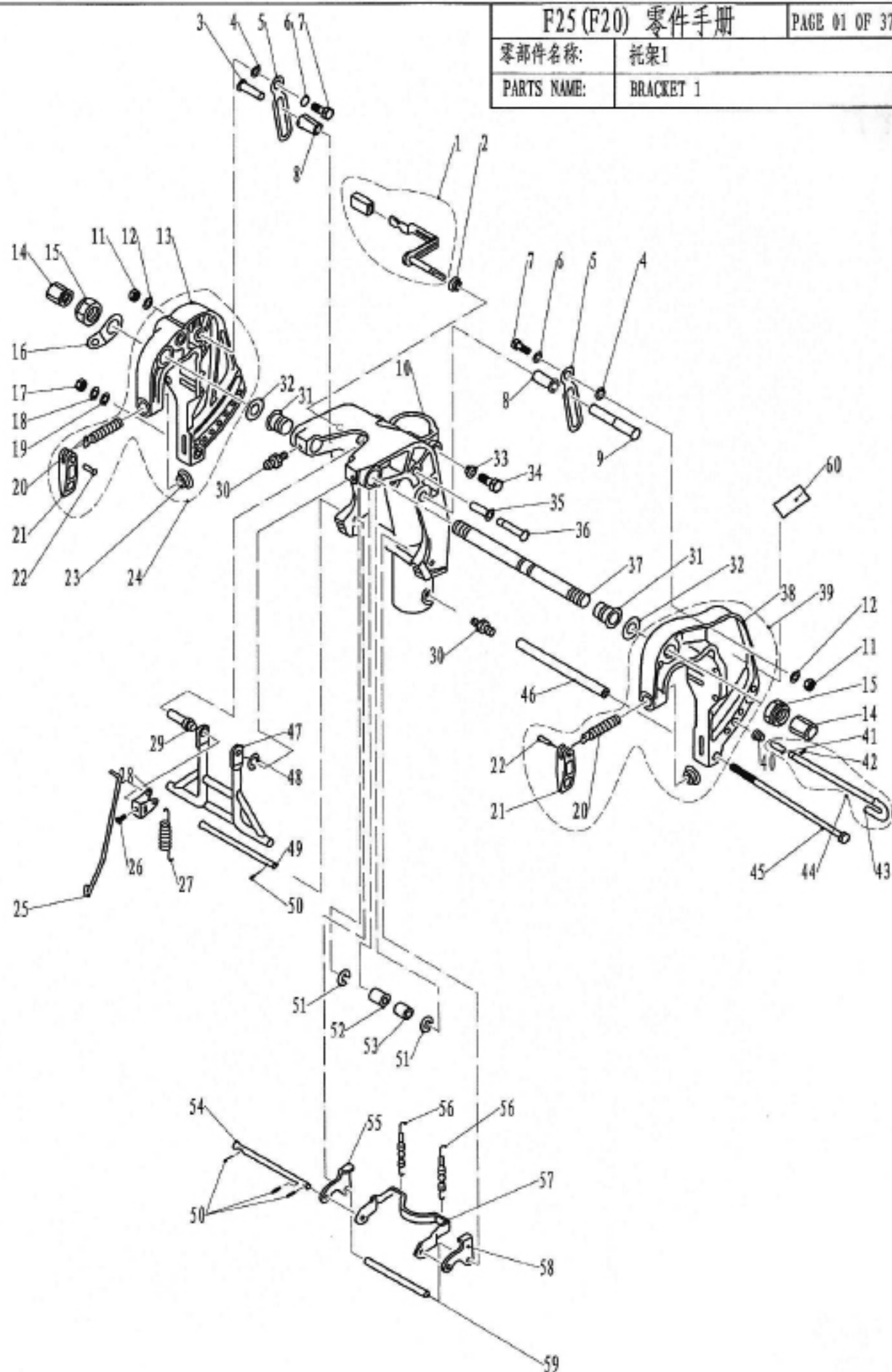


零部件名称:

托架1

PARTS NAME:

BRACKET 1

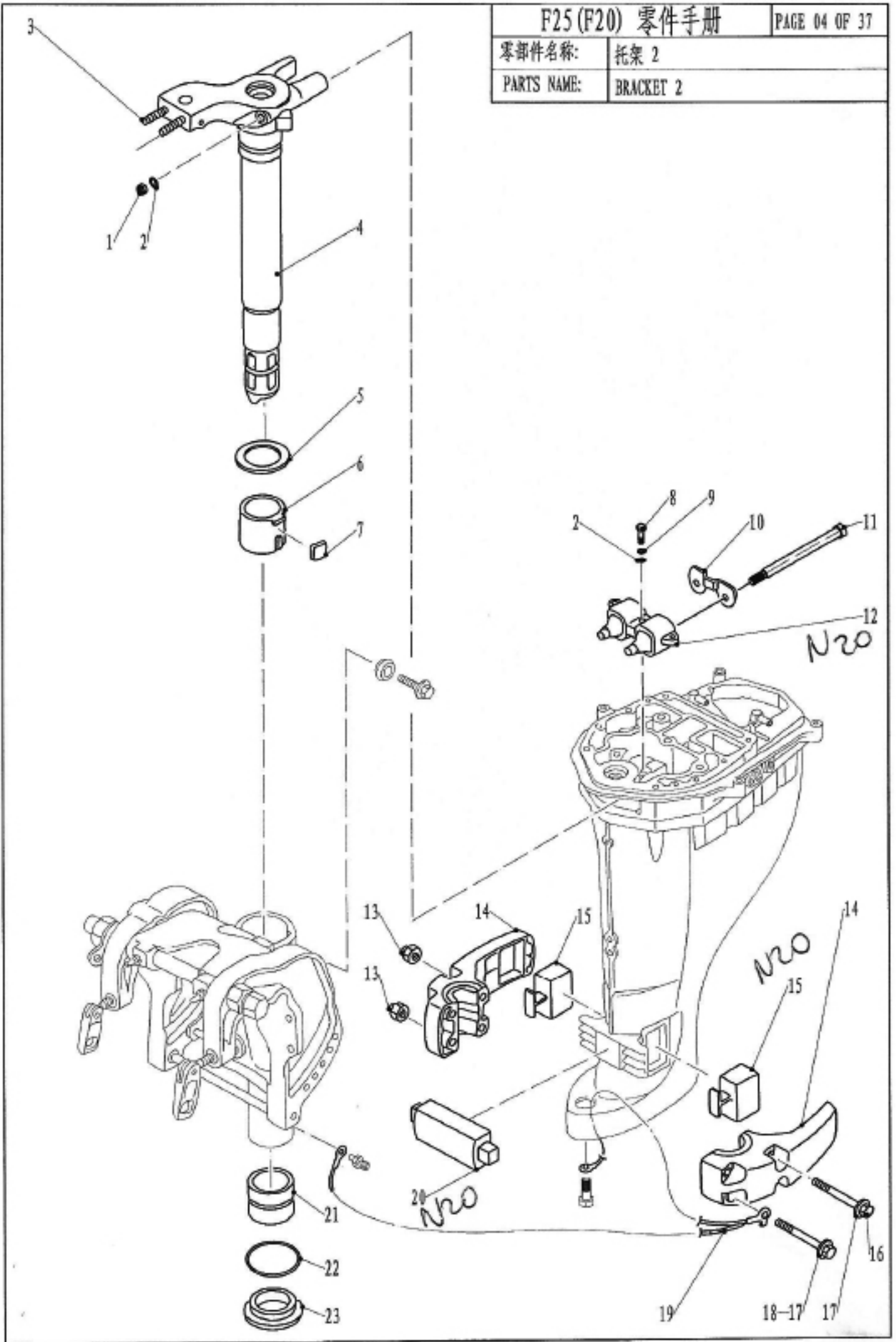


零部件名称:

托架 2

PARTS NAME:

BRACKET 2

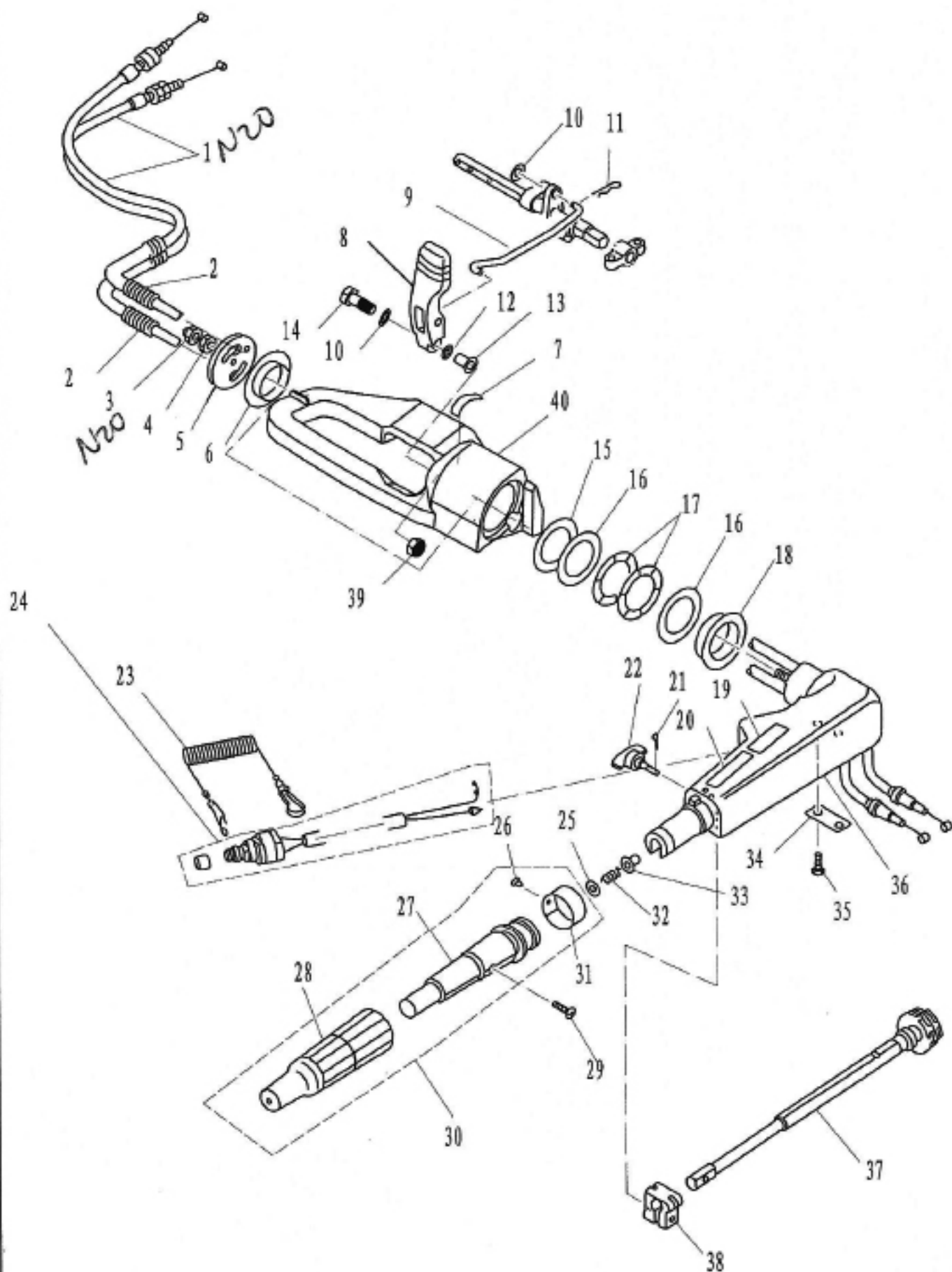


零部件名称:

操舵系统

PARTS NAME:

STEERING

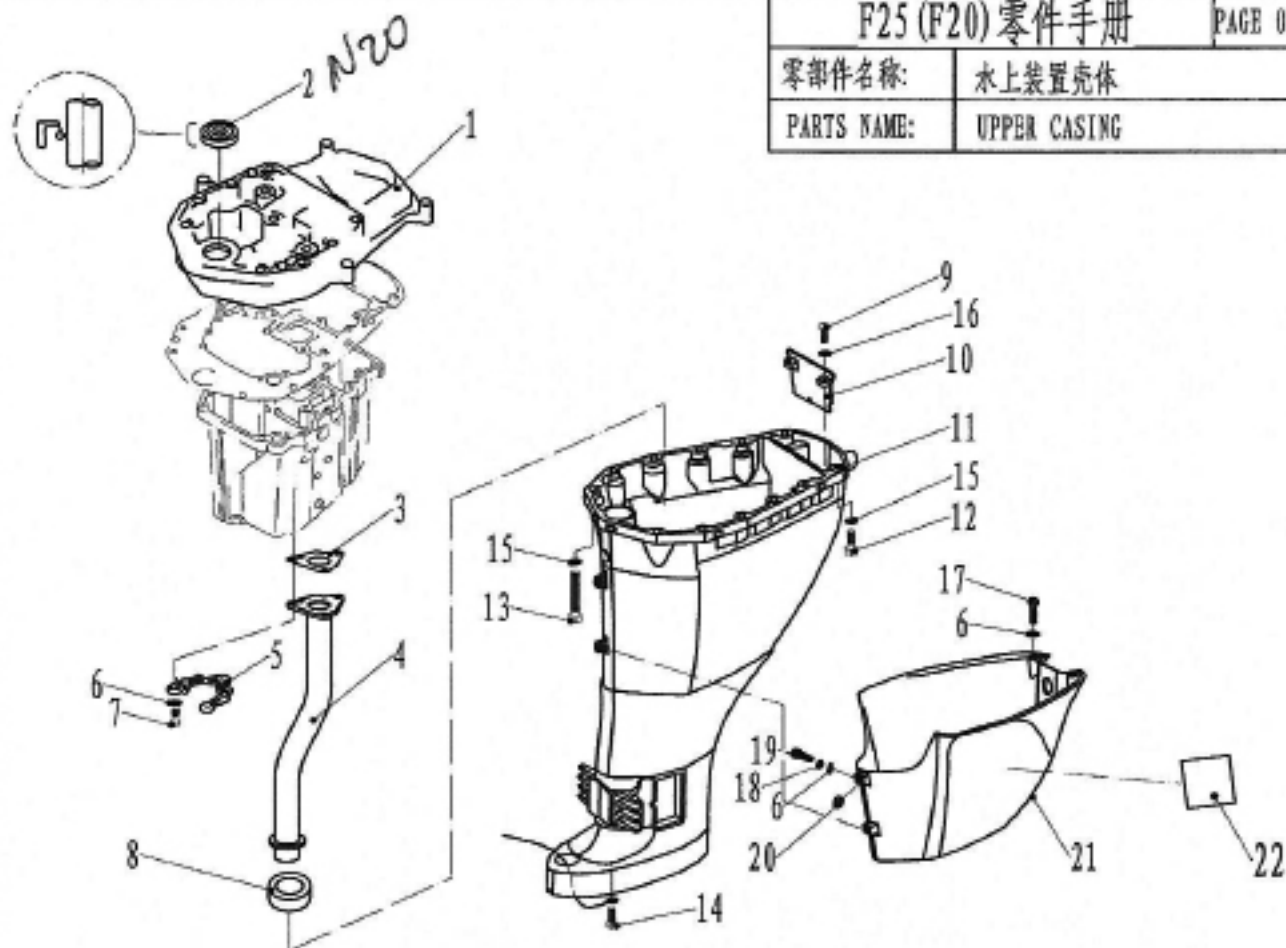


零部件名称:

水上装置壳体

PARTS NAME:

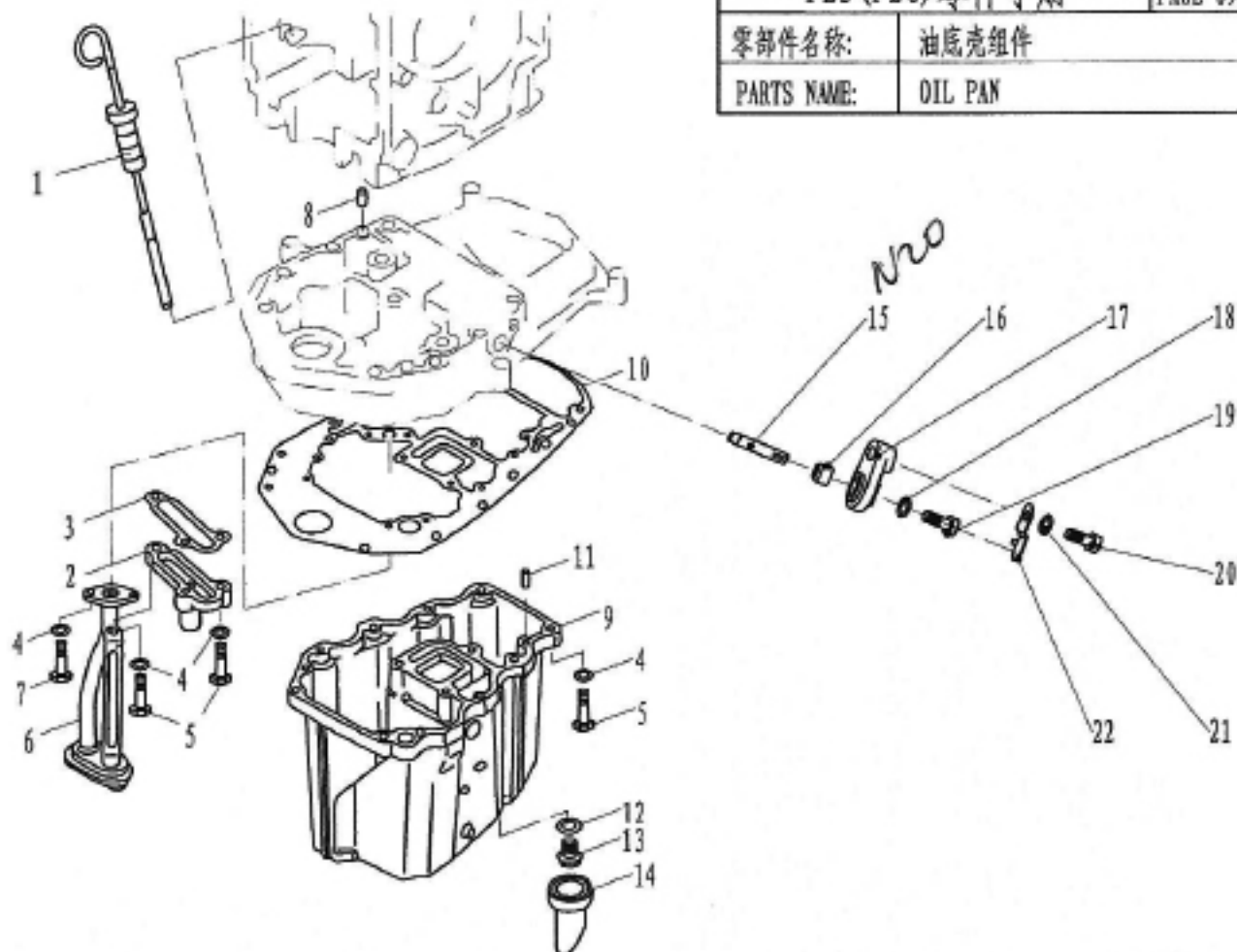
UPPER CASING



SN. 参照号码	PART NO. 零件编号	DESCRIPTION 零件名称 (中文)	DESCRIPTION 零件名称 (英文)	QTY 数量			REMARKS 备注
1	F25-02010001	排气歧管座	GUIDE EXHAUST	1			
2	F25-02010002	排气歧管座油封	OIL SEAL	1	N20		
3	F25-02000011	排气导管垫	GASKET, EXHAUST PIPE	1			
4	F25-02020000	排气导管组件	EXHAUST PIPE ASSY	1			L
	F25-02020000S	排气导管组件	EXHAUST PIPE ASSY	1			S
5	F25-02000012	V形垫板	PLATE, "V"	1			
6	GB/T97.1-2000	平垫圈6	WASHER	7			
7	GB/T5782-2000	六角螺栓M6x50	BOLT	3			
8	F25-02000014	排气管密封圈	SEAL, EXHAUST PIPE	1			
9	GB/T818-2000	十字槽盘头螺钉M5x16	SCREW, PAN HEAD	2			
10	F25-02000003	排气隔板	CLAPBOARD, EXHAUST	1			
11	F25-02000001	水上装置壳体	UPPER CASING	1			L
	F25-02000001S	水上装置壳体	UPPER CASING	1			S
12	GB/T5783-2000	六角螺栓M8x30	BOLT	4			
13	GB/T5782-2000	六角螺栓M8x80	BOLT	8			
14	GB/T818-2000	十字槽盘头螺钉M6x10	SCREW, PAN HEAD	1			
15	GB/T97.1-85	平垫圈3	WASHER	12			
16	GB/T97.1-2000	平垫圈5	WASHER	2			
17	GB/T5783-2000	六角螺栓M6x14	BOLT	2			
18	GB/T93-1987	弹性垫圈4	WASHER, SPRING	2			
19	GB/T818-2000	十字槽盘头螺钉M6x25	SCREW, PAN HEAD	2			
20	GB/T6170-2000	六角螺母M6	NUT	2			
21	F25-00000200	水上装置罩壳	MANTLE, UPPER CASING	1			
22	F15-12000004	标贴4	MARK 4	1			

零部件名称: 油底壳组件

PARTS NAME: OIL PAN



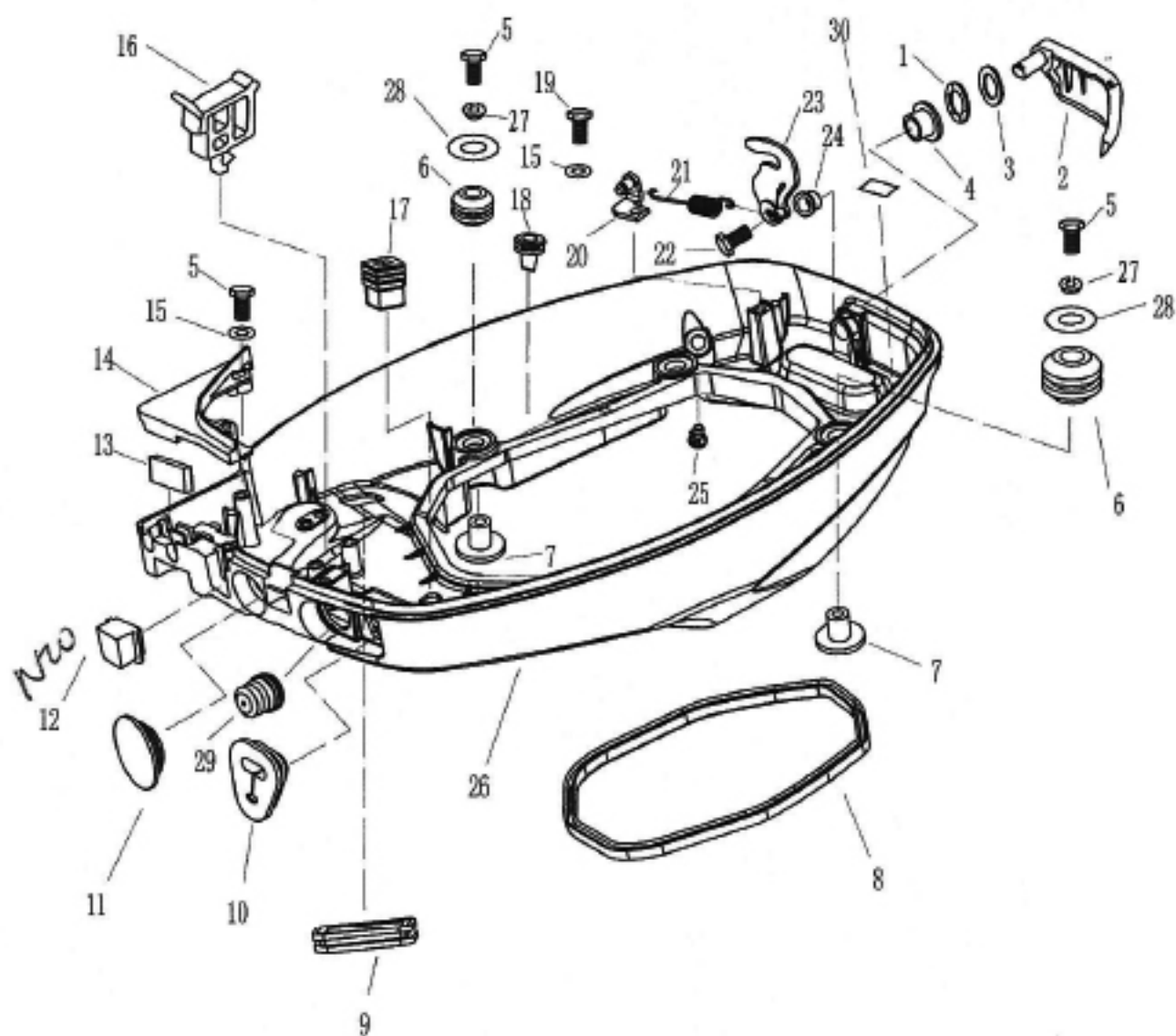
SN. 参照号码	PART NO. 零件编号	DESCRIPTION 零件名称 (中文)	DESCRIPTION 零件名称 (英文)	QTY 数量			REMARKS 备注
1	F25-00000100	机油尺组件	PLUG, OIL LEVEL	1			
2	F25-02010100	溢流阀组件	RELIEF VALVE AUY	1			
3	F25-02010006	溢流阀垫片	GASKET, RELIEF VALVE	1			
4	GB/T97.1-2000	平垫圈6	WASHER, PLAIN	15			
5	GB/T5783-2000	六角螺栓M6x25	HEXAGON BOLT	13			
6	F25-02010200	粗滤器组件	STRAINER, OIL	1			
7	GB/T5783-2000	六角螺栓M6x16	HEXAGON BOLT	2			
8	F25-00000014	定位销8x11	PIN, DOWEL	2			
9	F25-02000006	油底壳	OIL SUMP	1			
10	F25-02010007	排气歧管座垫	HEXAGON BOLT	1			
11	F15-00000006	定位销6x12	PIN, DOWEL	2			
12	F15-04000003	放油螺塞垫片	GASKET	1			
13	F15-04000002	放油螺塞	BOLT, OIL DRAIN	1			
14	F25-02000007	放油口胶套	JACKET, OIL DRAIN	1			
15	F25-02010005	阳极	ANODE	1		N20	
16	F15-07010009	阳极密封圈	SEAL, ANODE	1			
17	F15-07010011	阳极盖板	COVER, ANODE	1			
18	GB/T97.1-1985	平垫圈5	WASHER	1			
19	GB/T5783-2000	六角螺栓M5x12	BOLT	1			
20	GB/T5783-2000	六角螺栓M6x20	BOLT	1			
21	GB/T97.1-1985	平垫圈6	WASHER	1			
22	F15-07010012	阳极锁止片	PLATE, ANODE	1			

零部件名称:

底罩

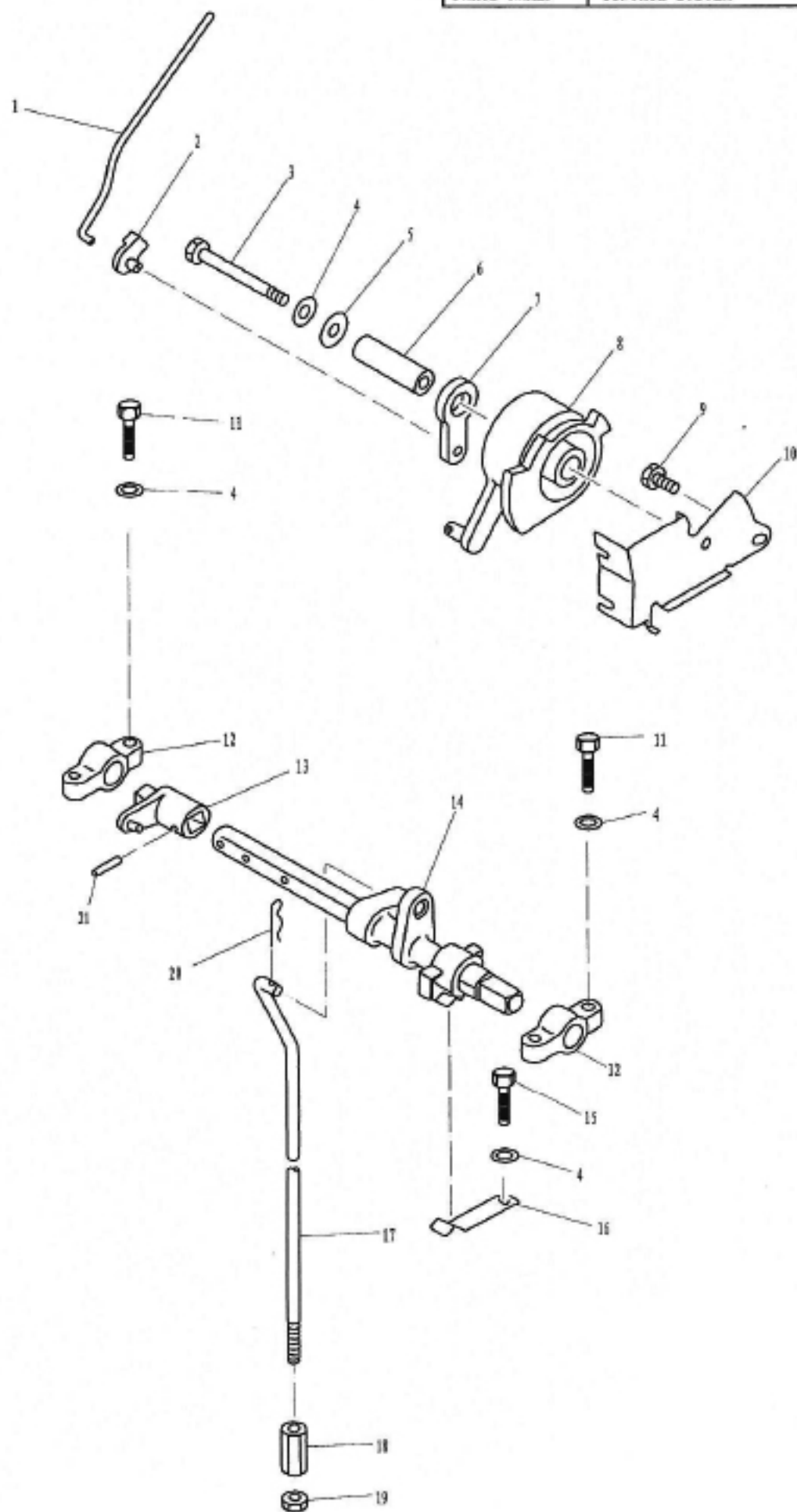
PARTS NAME:

BOTTOM COWLING



零部件名称: 控制系统

PARTS NAME: CONTROL SYSTEM

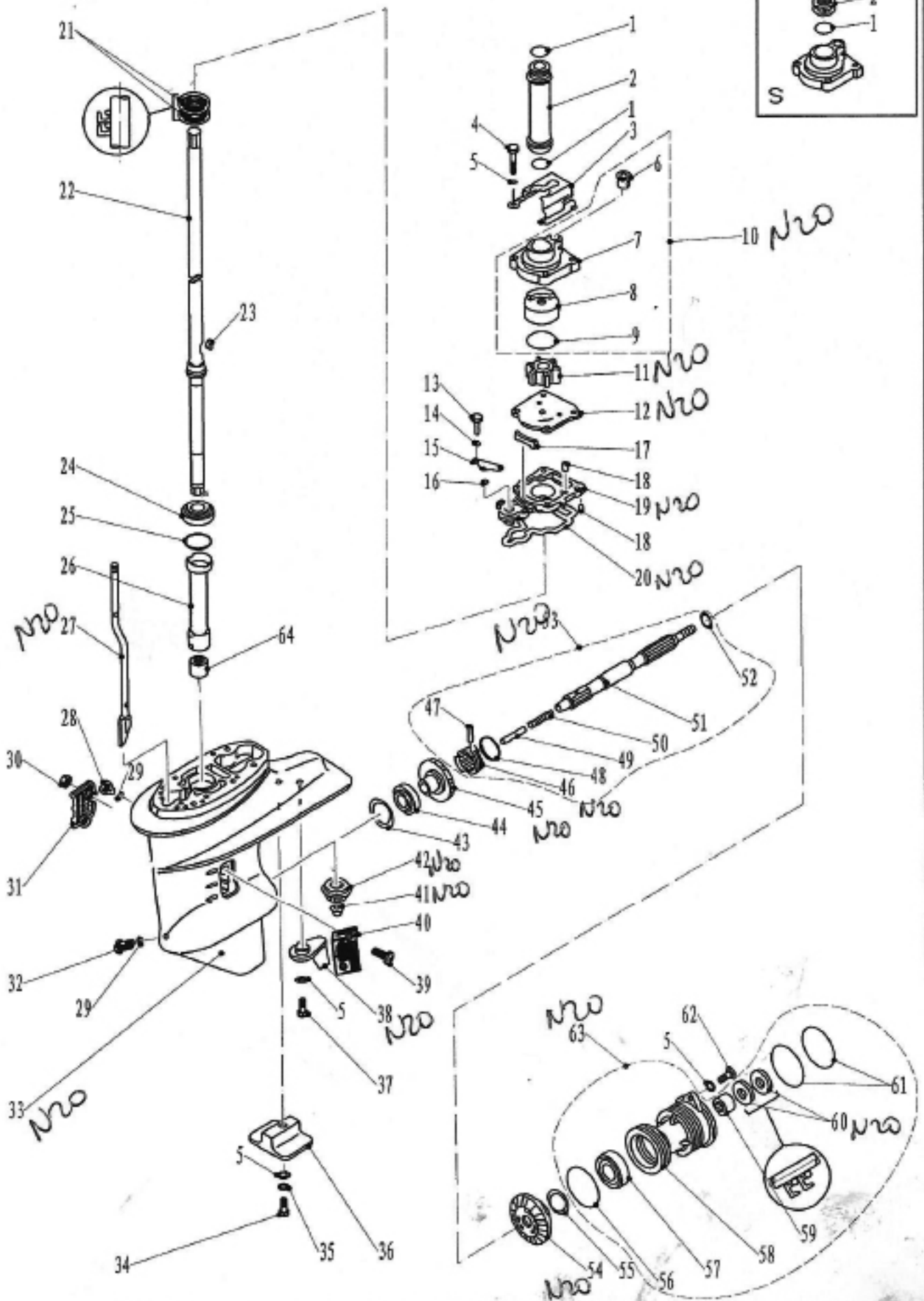
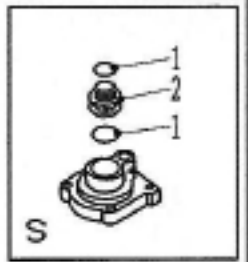


零部件名称:

水下装置壳体 & 驱动系统 1

PARTS NAME:

LOWER CASING & DRIVE 1





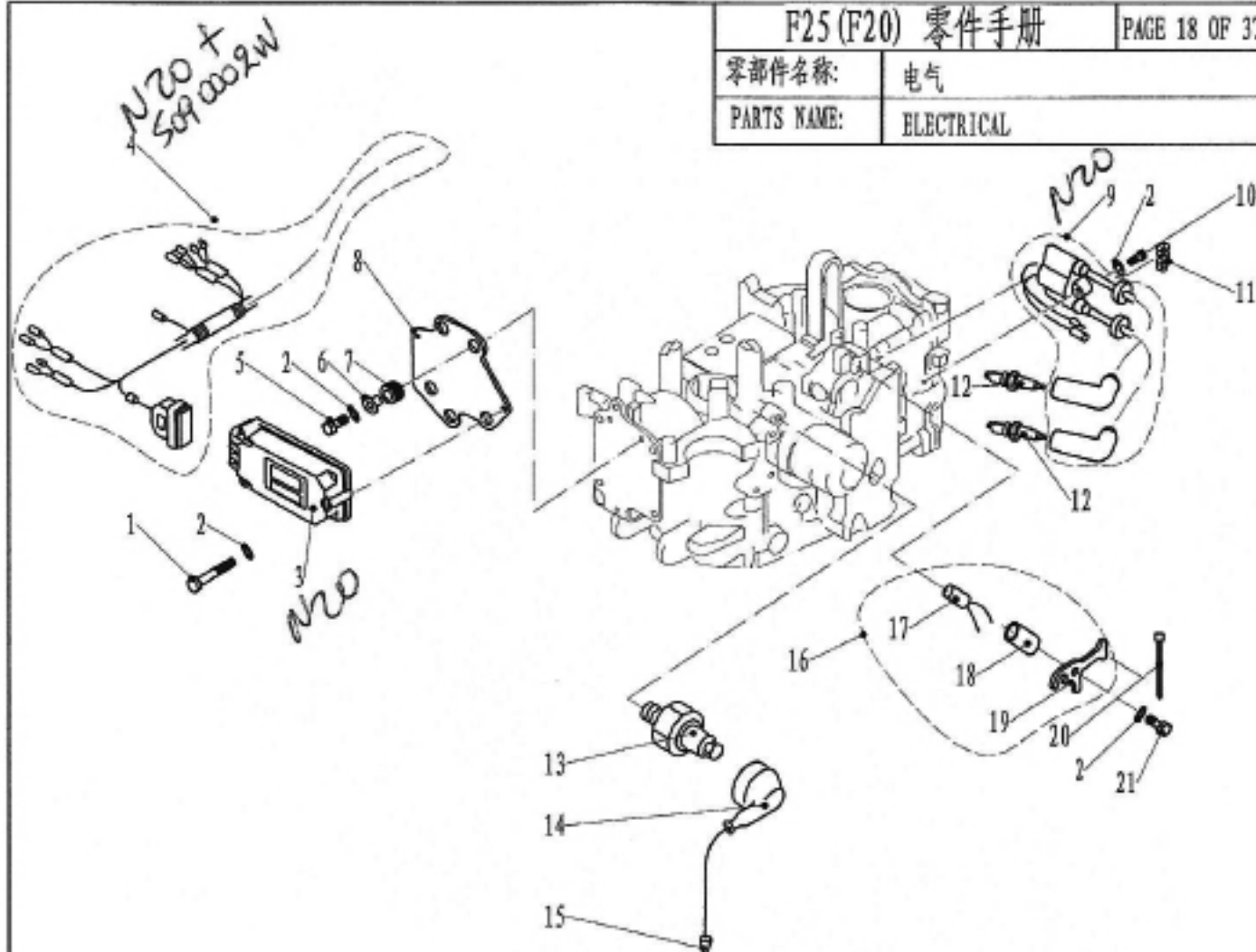


零部件名称:

电气

PARTS NAME:

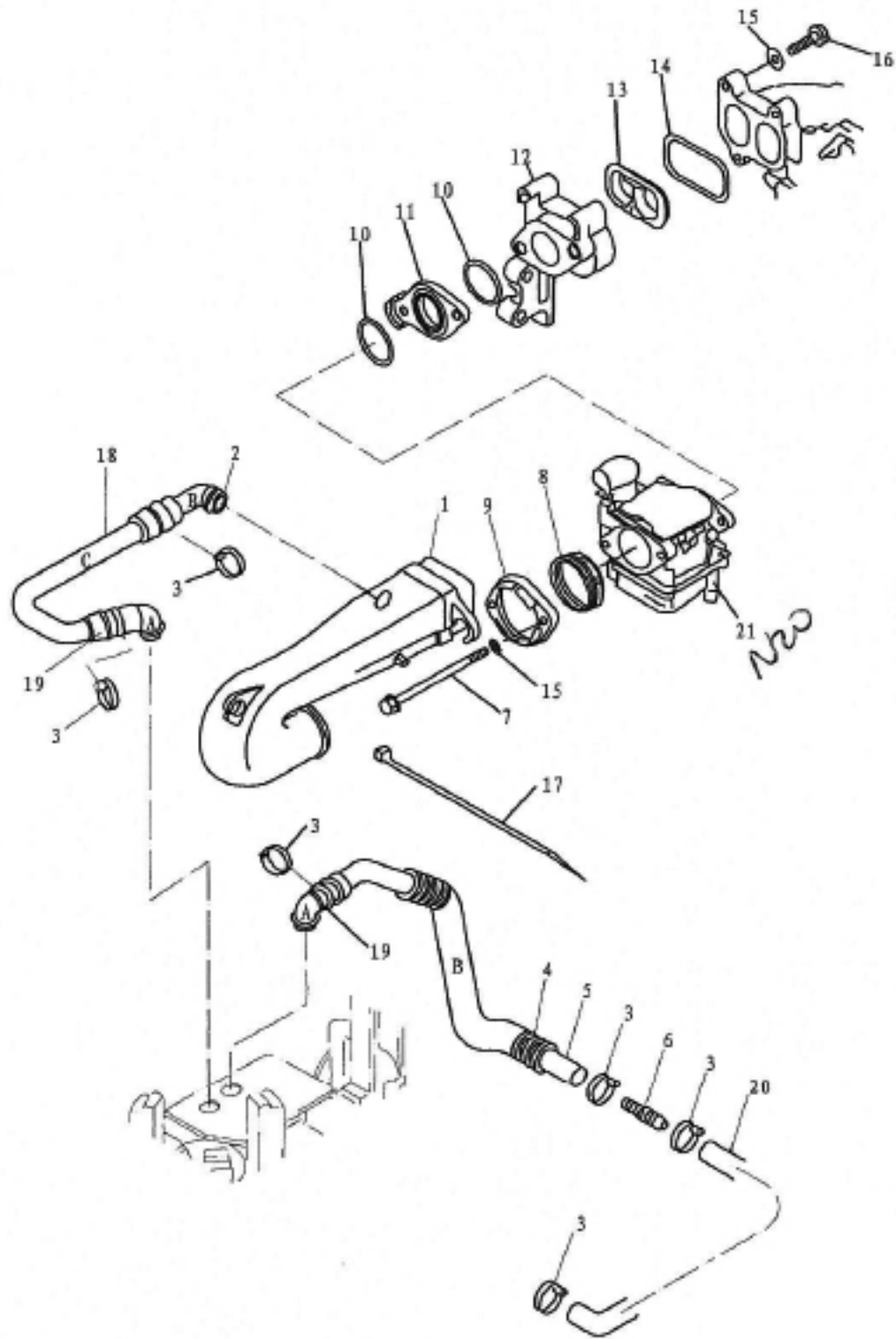
ELECTRICAL



SK 参照号码	PART NO. 零件编号	DESCRIPTION 零件名称(中文)	DESCRIPTION 零件名称(英文)	QTY 数量			REMARKS 备注
1	GB/T6563-1986	六角头自攻锁紧螺钉M6×45	SCREW, LOCKED	3			
2	GB/T97.1-85	平垫圈6	WASHER	8			
3	F25-05090001	点火模块组件	C. D. I. UNIT ASSY	1	N20	+	
4	F25-05090002	点火线束组件	C. D. I. LINE ASSY	1	N20	+	S090002W
5	GB/T5783-2000	六角螺栓M6×25	BOLT	3			
6	F25-05090005	点火模块减震圈衬管	BUSH, IGNITION	3			
7	F25-05090004	点火模块减震圈	BUSH, DAMPING	3			
8	F25-05090003	点火模块固定板	BRACKET, IGNITION UNIT	1			
9	F25-05120000	高压包组件	HIGH PRESSURE ASSY	1	N20		
10	GB/T5783-2000	六角螺栓M6×30	BOLT	1			
11	F25-05000016	尼龙管夹	CLAMP, NYLON	1			
12	DPR6HA 9 NGK	火花塞	SPARKPLUG	2			
13	F15-07010103	机油压力传感器	OIL PRESSURE SENSOR	1			
14	F15-07010101	绝缘护套	JACKET, INSULATION	1			
15	F15-07010102	导线组件	LEAD WIRE ASSY	1			
16	F25-05010200	温控器组件	TEMPERATURE CONTROLLER ASS'Y	1			
17	F25-05010201	温控器	TEMPERATURE CONTROLLER	1			
18	F25-05010202	温控器护套	BUSH, TEMPERATURE CONTROLLER	1			
19	F25-05010203	温控器固定板	PLATE, TEMPERATURE CONTROLLER	1			
20	HT-25×60	尼龙扎带	BAND NYLON	1			
21	GB/T5783-2000	六角螺栓 M6×12	BOLT M6×12	1			

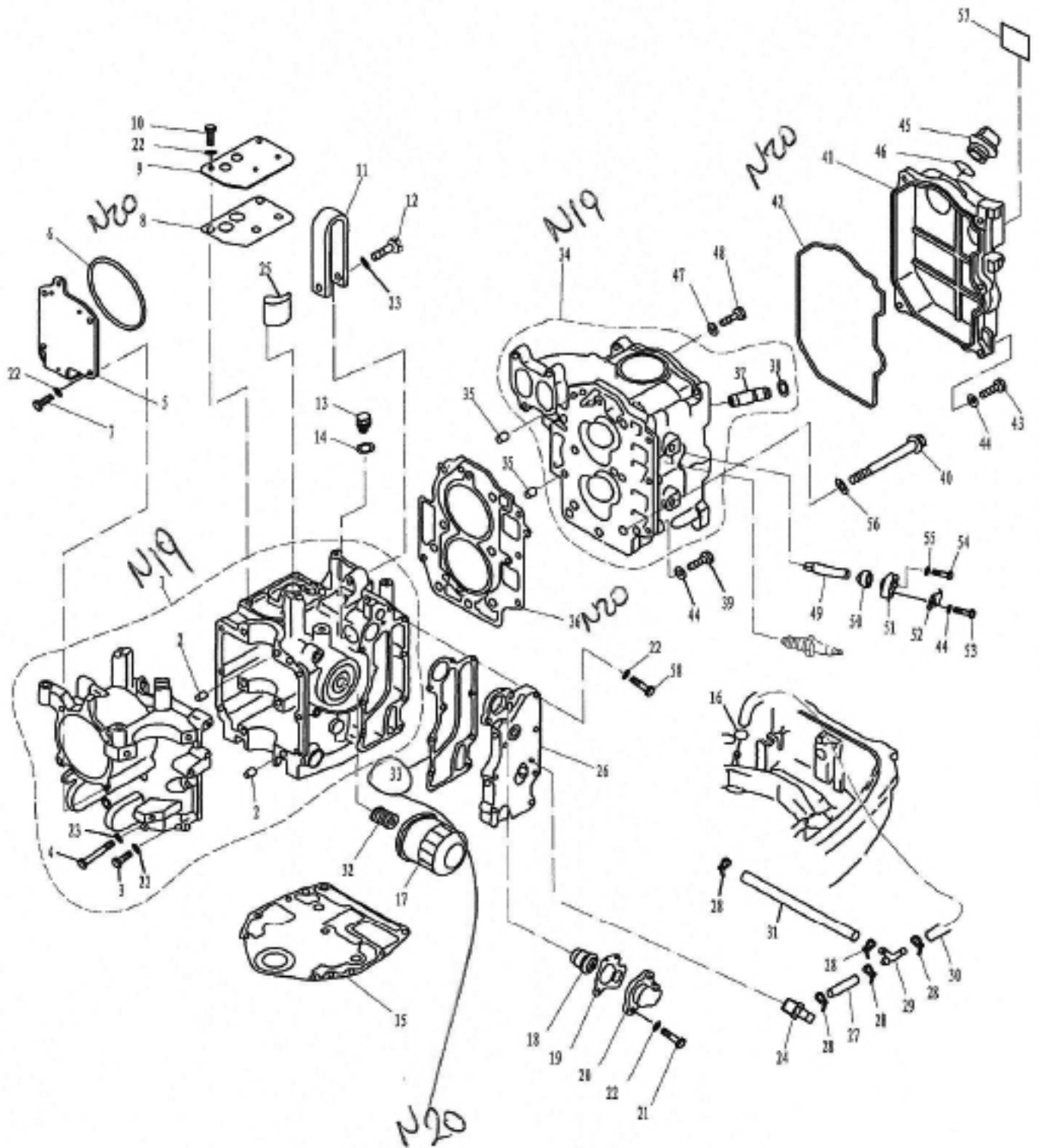
零部件名称: 进气系统

PARTS NAME: INTAKE



零部件名称: 气缸和曲轴箱

PARTS NAME: CYLINDER&amp;CRANKCASE

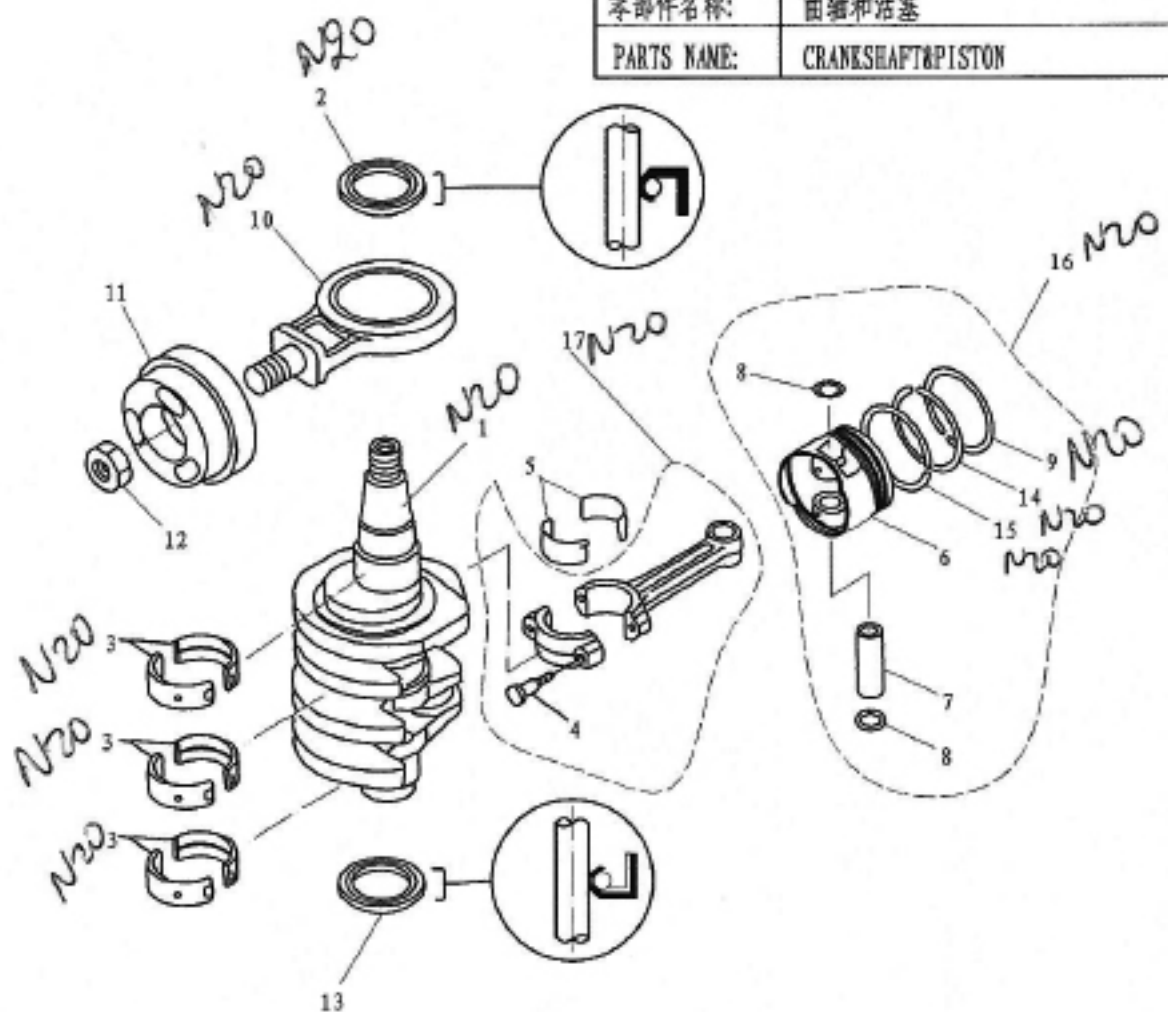


零部件名称:

曲轴和活塞

PARTS NAME:

CRANKSHAFT&amp;PISTON



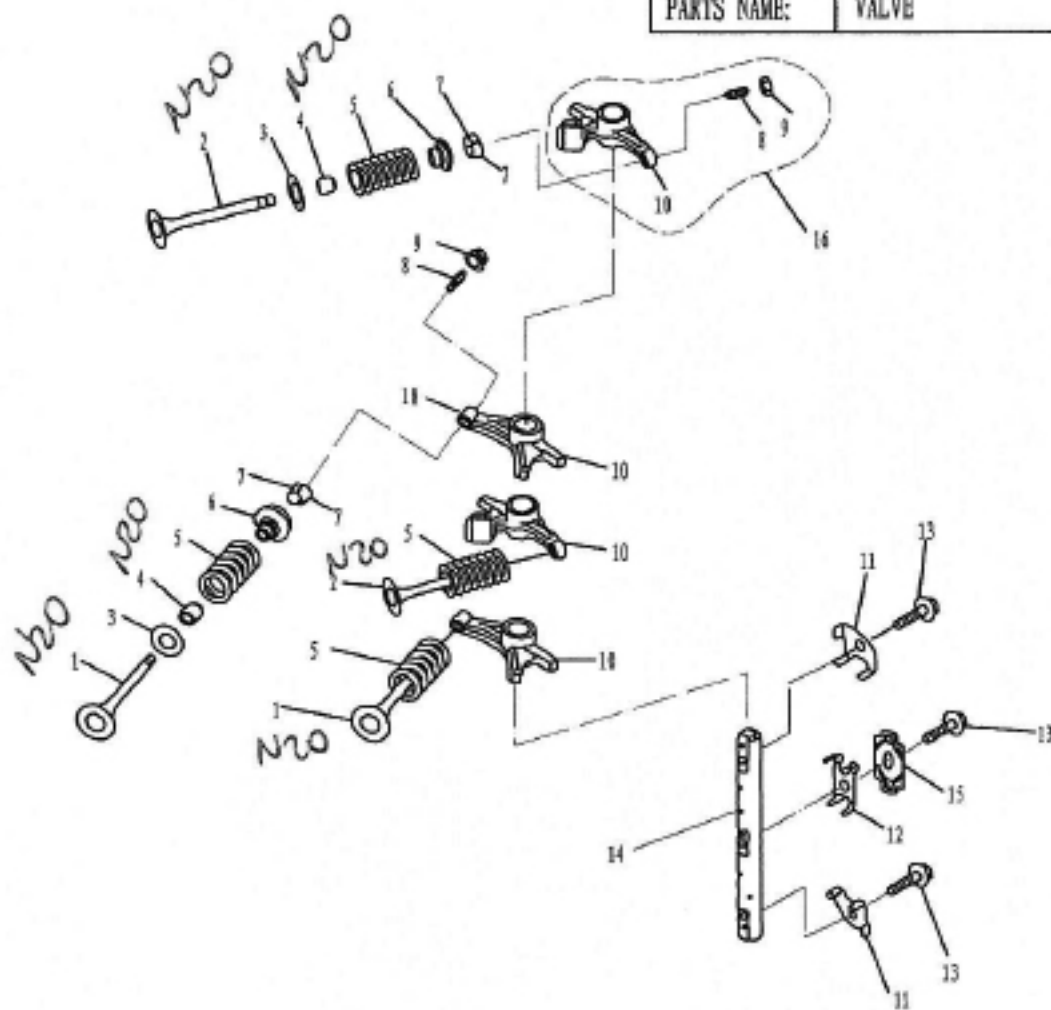
SP. 参图号码	PART NO. 零件编号	DESCRIPTION 零件名称(中文)	DESCRIPTION 零件名称(英文)	QTY 数量			REMARKS 备注
1	F25-05020001	曲轴	CRANK SHAFT	1	N20		
2	F25-05020002	曲轴油封 B	OIL SEAL B	1	N20		
3	F25-05010302-1	曲轴轴瓦	MAIN BEARING	6	N20		UR: BROWN
	F25-05010302-2	曲轴轴瓦	MAIN BEARING	6	N20		
4	F25-05020204	连杆螺栓	BOLT, CONNECTING ROD	2			
5	F25-05020203-1	连杆轴瓦	PLANE BEARING, CONNECTING ROD	2	N20		UR: BLACK
	F25-05020203-2	连杆轴瓦	PLANE BEARING, CONNECTING ROD	2			
6	F25-05020101	活塞	PISTON	2			
7	F25-05020105	活塞销	PIN, PISTON	2			
8	F25-05020106	活塞销挡圈	CIRCLIP	4			
9	F25-05020102	活塞环 I	PISTON RING I	2	N20		
10	F25-05020310	平衡缸连杆组件	CON-ROD ASSY, BALANCE	1	N20		
11	F25-05020301	平衡缸活塞	PISTON, BALANCE	1			
12	F25-05000026	飞轮螺母	NUT	1			
13	F25-05020002	曲轴油封 A	OIL SEAL A	1			
14	F25-05020103	活塞环 II	PISTON RING II	2	N20		
15	F25-05020104	组合油环	COMBINA OIL RING	2	N20		
16	F25-05020100	活塞组件	PISTON ASSY	2	N20		
17	F25-05020200	连杆组件	ROD, CONNECTING	2	N20		
18							

零部件名称:

阀门

PARTS NAME:

VALVE



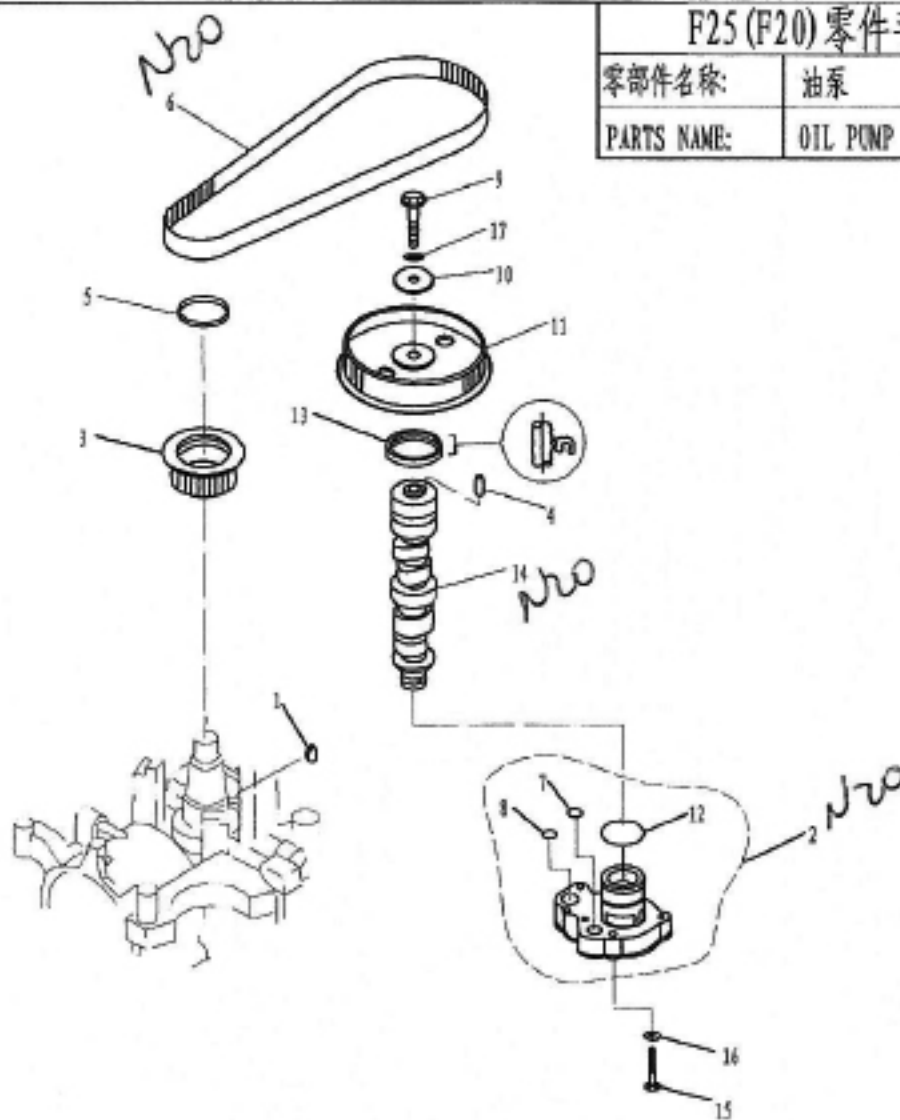
SK 参照号	PART NO. 零件号	DESCRIPTION 零件名称(中文)	DESCRIPTION 零件名称(英文)	QTY 数量				REMARKS 备注
1	F25-05050001	进气门	VALVE, INTAKE	2		N20		
2	F25-05050002	排气门	VALVE, EXHAUST	2		N20		
3	F25-05050003	气门弹簧垫圈	SEAL, VALVE SPRING	4				
4	PS-2700.04.03	气门油封	SEAL, VALVE STEM	4		N20		
5	F25-05050005	气门弹簧	SPRING, VALVE	4				
6	F15-07040006	气门弹簧座圈	RETAINER, VALVE SPRINGRE	4				
7	F15-07040007	气门弹簧卡圈	COTTER, VALVE	8				
8	F15-07040303	调整螺钉	SCREW, VALVE ADJUSTING	1x4				
9	F15-07040304	调整螺母	NUT	1x4				
10	F25-05050301	摇臂	ROCKER	1x4				
11	F25-05050009	摇臂轴固定板A	PLATE A, BOLT STOPPER	2				
12	F25-05050011	摇臂轴限位弹簧板	SPRING	1				
13	F25-05050019	摇臂轴六角法兰螺栓	BOLT	3				
14	F25-05050008	摇臂轴	SHAFT, ROCKER	1				
15	F25-05050012	摇臂轴固定板B	PLATE B, BOLT STOPPER	1				
16	F25-05050300	摇臂组件	ROCKER ASSY	4				

零件名称:

油泵

PARTS NAME:

OIL PUMP



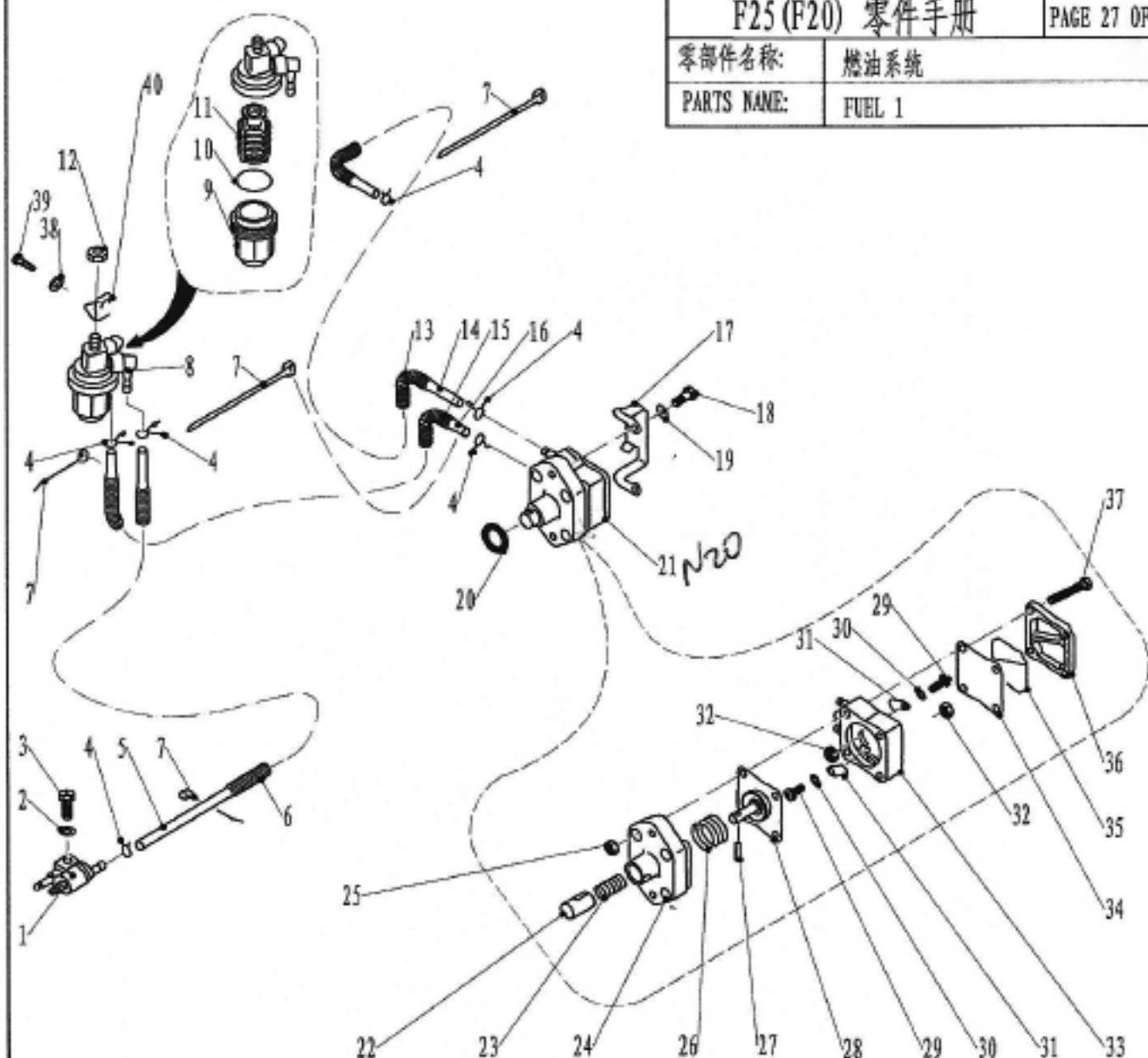
SR 参照号码	PART NO. 零件编号	DESCRIPTION 零件名称(中文)	DESCRIPTION 零件名称(英文)	QTY 数量				REMARKS 备注
1	F4-04000019	半圆键	KEY, WOODRUFF	1				4x5.3x13
2	F25-05050400	机油泵组件	OIL PUMP ASSY	1	N20			
3	F25-05000021	正时带轮	BELT PULLEY, TIMING	1				
4	F25-05050016	从动轮定位销	PIN, DOWEL	1				5x3.8
5	F25-05000022	正时带轮垫圈	BUSH, SPRING	1				
6	F25-05000023	正时皮带	BELT, TIMING	1	N20			
7	F25-05050013	机油泵O形圈A	O-RING A	1				11.6x1.22
8	F25-05050014	机油泵O形圈B	O-RING B	1				13.8x1.9
9	GB/T5785-2000	六角螺栓M10x1.25x40	BOLT	1				
10	F25-05050018	从动轮垫圈	WASHER, PLATE	1				
11	F25-05050017	从动轮	BELT PULLEY, DRIVEN	1				
12	F25-05050015	机油泵O形圈C	O-RING C	1				33.5x1.9
13	F25-05050021	凸轮轴油封 37X50X7R	OIL SEAL	1				
14	F25-05050200	凸轮轴组件	CAMSHAFT ASSY	1	N20			
15	GB/T5782-2000	六角螺栓M6x35	BOLT	4				
16	GB/T97.1-85	平垫圈6	WASHER, PLATE	4				
17	GB/T97.1-85	平垫圈10	WASHER, PLATE	1				

零部件名称:

燃油系统

PARTS NAME:

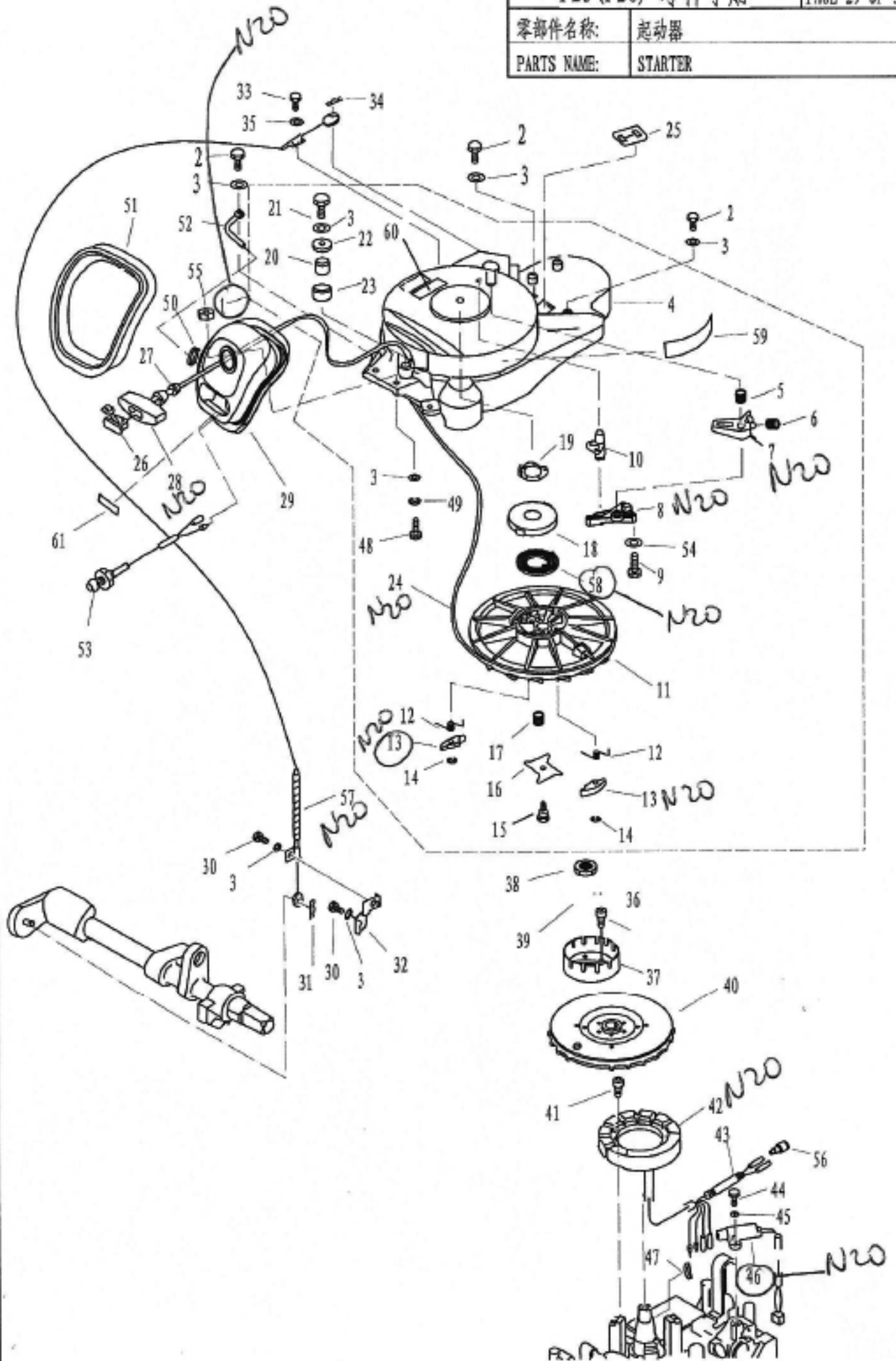
FUEL 1



SK. 参照号码	PART NO. 零件编号	DESCRIPTION 零件名称(中文)	DESCRIPTION 零件名称(英文)	QTY 数量		REMARKS 备注
1	F4-05000200	燃油接头组件	FUEL PIPE TIE-IN ASSY	1		
2	GB/T97.1-85	平垫圈6	WASHER	1		
3	GB/T5783-2000	六角螺栓M6×25	BOLT	1		
4	F4-04000030	油管夹簧B	SPRING, FUEL PIPE "B"	5		
5	F25-03000012	燃油管A	PIPE, FUEL "A"	1		Φ10xΦ5x550
6	F25-03000004	波纹护套	PIPE, WAVE	1		Φ12x120
7	HT-2.5×60	尼龙扎带	CLAMP	6		
8	F15-07080000	滤油杯组件	FILTER ASSY	1		
9	F15-07080002	滤杯	CUP, FILTER	1		
10	GB/T3452.1-1992	滤杯密封圈φ32.5×1.8	WASHER, CUP FILTER	1		
11	F15-07080001	滤网架	ELEMENT, FILTER	1		
12	GB/T6170-2000	六角螺母M8	NUT	1		
13	F25-05000029	波纹管	PIPE, WAVE	1		Φ12x300
14	F25-05000012	燃油管	PIPE, FUEL	1		Φ10xΦ5x350
15	F25-05000033	波纹管	PIPE, WAVE	1		Φ12x120



零部件名称:	起动机
PARTS NAME:	STARTER





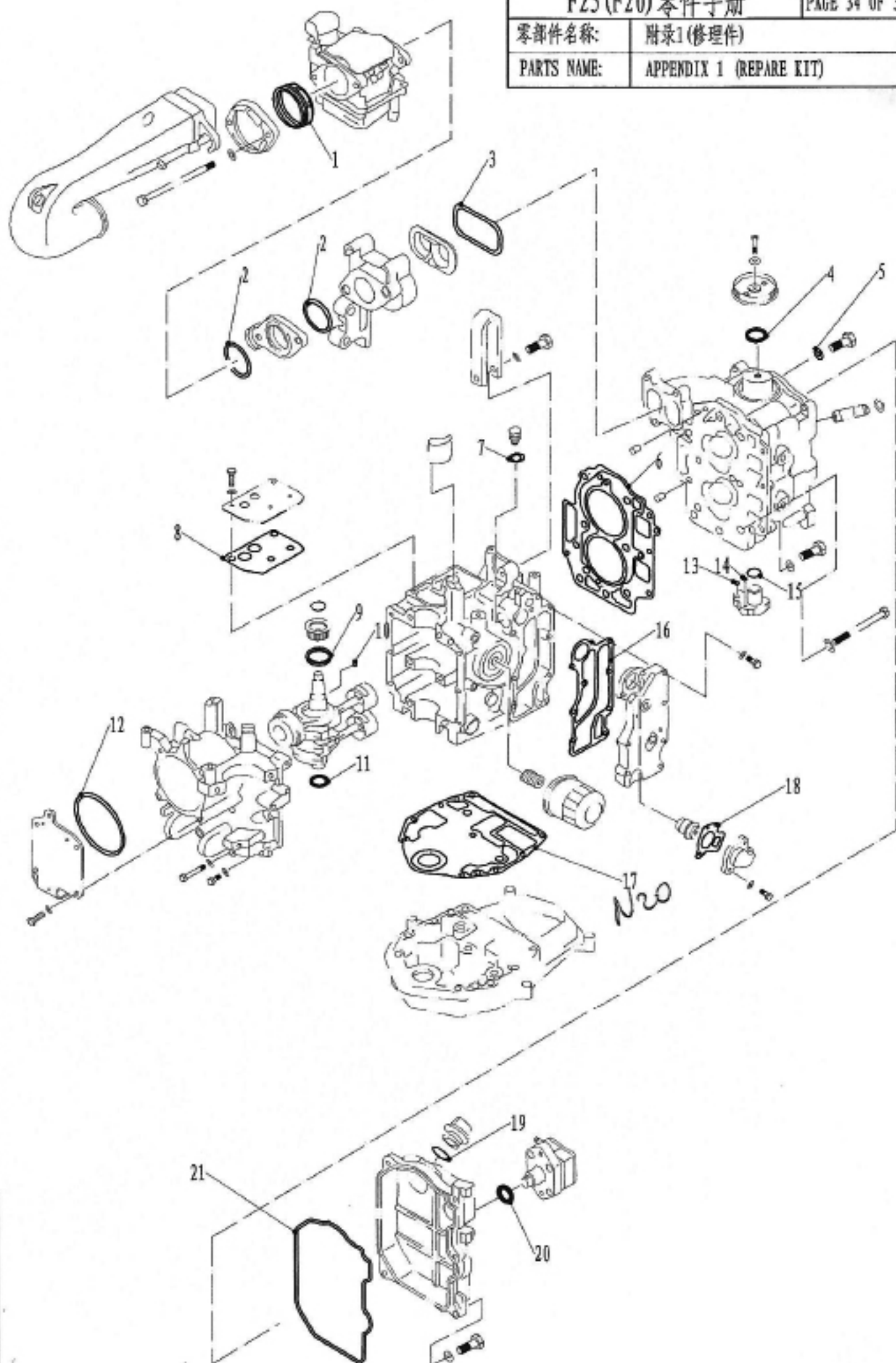


零部件名称:

附录1 (修理件)

PARTS NAME:

APPENDIX 1 (REPAIR KIT)



零部件名称:

附录2 (修理件)

PARTS NAME:

APPENDIX 2 (REPAIR KIT)

